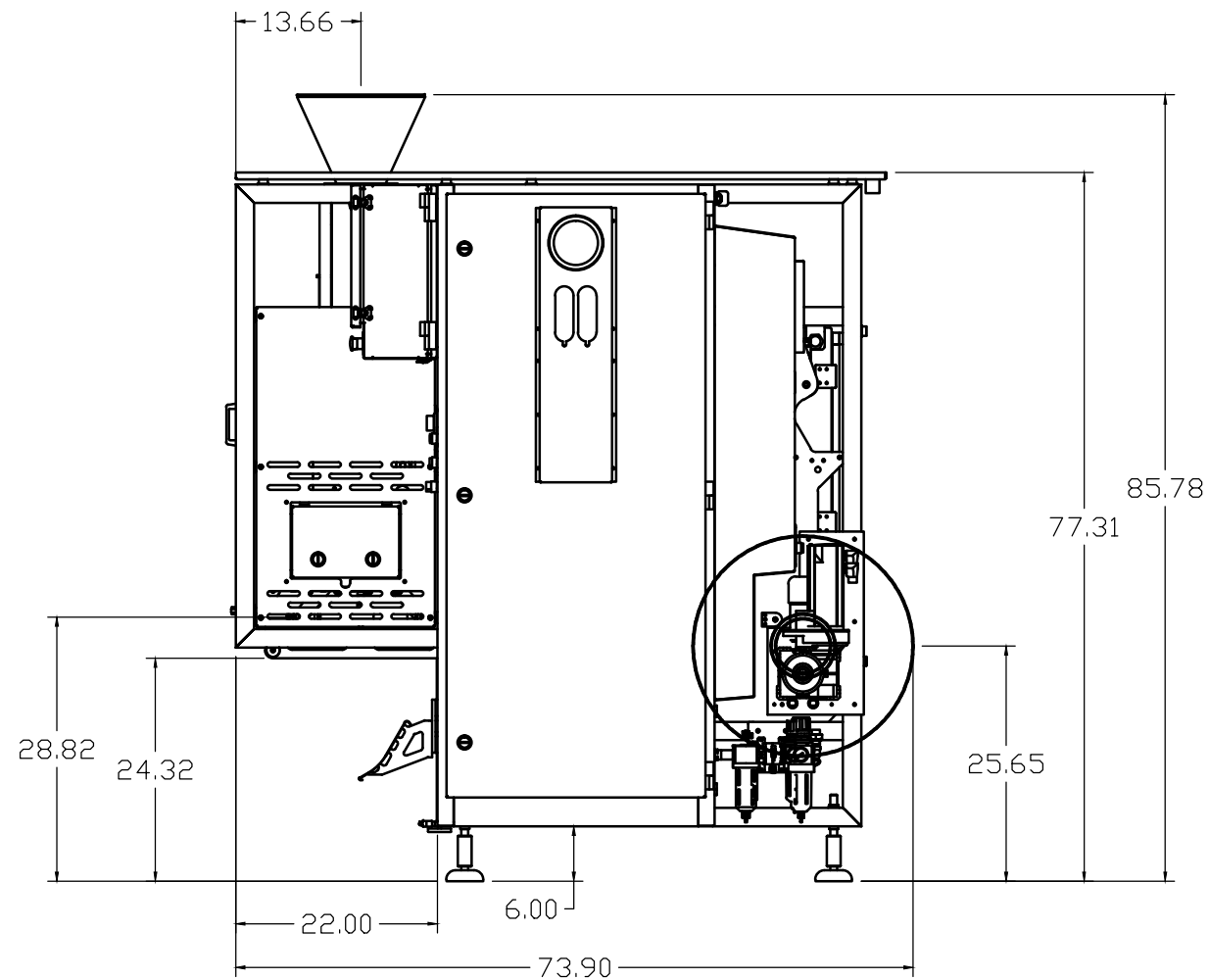
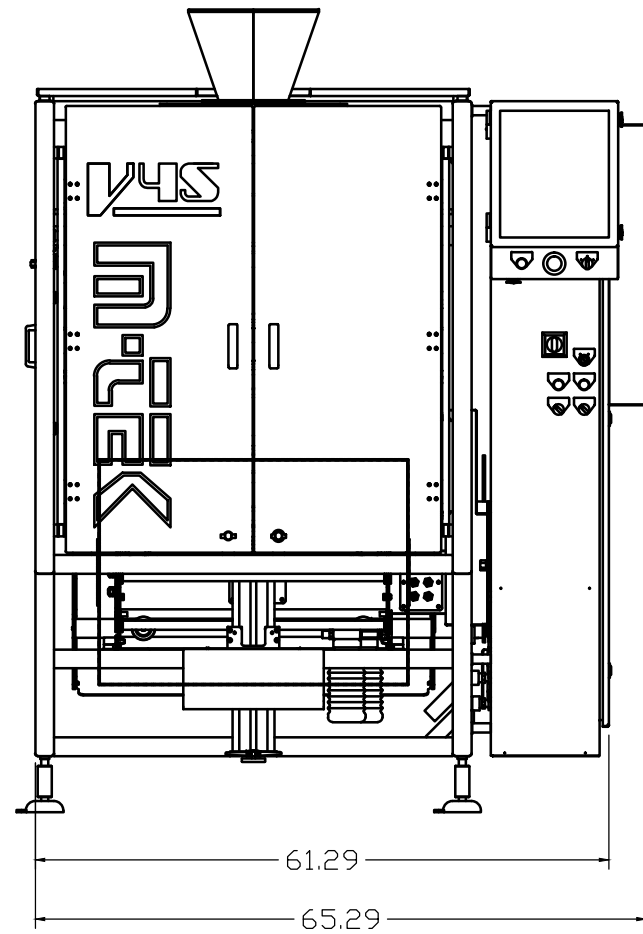
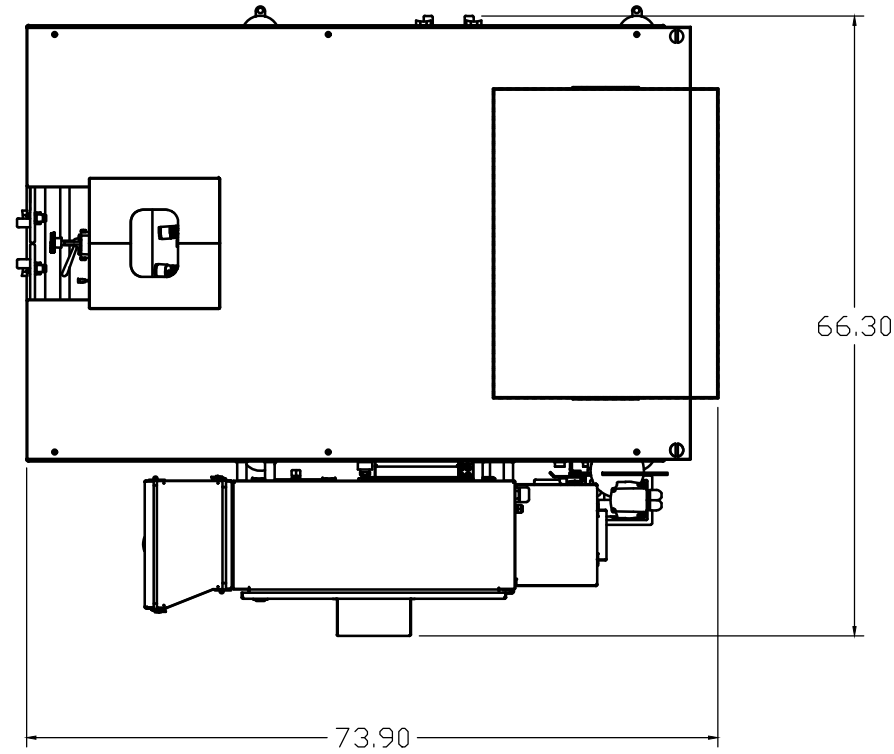


REVISIONS				
ECO	REV	DESCRIPTION	DATE	APPROVED



M-TEK INC.

THIS DRAWING IS THE PROPERTY OF M-TEK, INC. AND IS TO BE CONSIDERED CONFIDENTIAL. USE OR REPRODUCTION WITHOUT THE EXPRESS PERMISSION OF THE COMPANY IS STRICTLY PROHIBITED.

APPROVED MFG: APPROVED ENG:

DRAWN BY: T. LIAKOPOULOS

TITLE:

V45 LAYOUT DRAWING

TOLERANCES: UNLESS OTHERWISE STATED:
 FRACTIONAL = ±.015
 .XX = ±.015
 .XXX = ±.005
 DRILLED HOLE: STANDARD S.A.E.

DWG NO.:

V45 LAYOUT

REV

—

SCALE: NA

DATE: 02/22/13

SHEET 1 OF 1