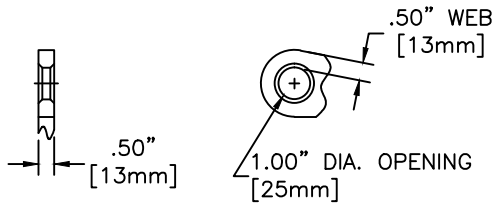
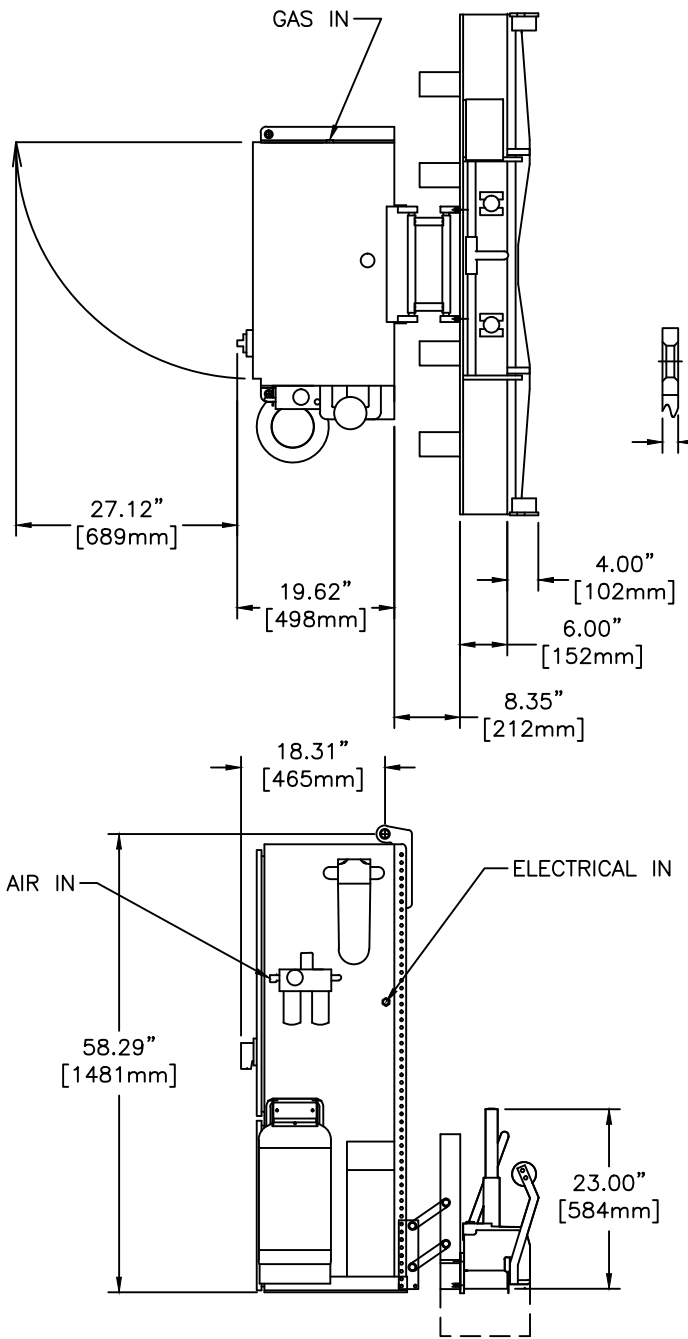
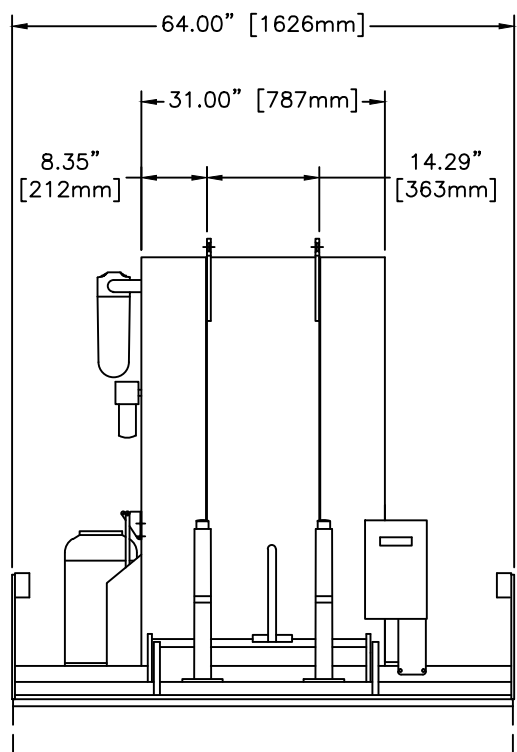


REVISIONS				
ECO	REV	DESCRIPTION	DATE	APPROVED

# Corr-vac MARK III BULK BIN SUSPENDED MODEL



SUPPORT RING DETAIL



**MOUNTING NOTES:**

Total weight of the MARK III machine is approximately 700 LBS. However an overhead lifting system must allow for the machine weight, plus the weight of the product inside the bin.

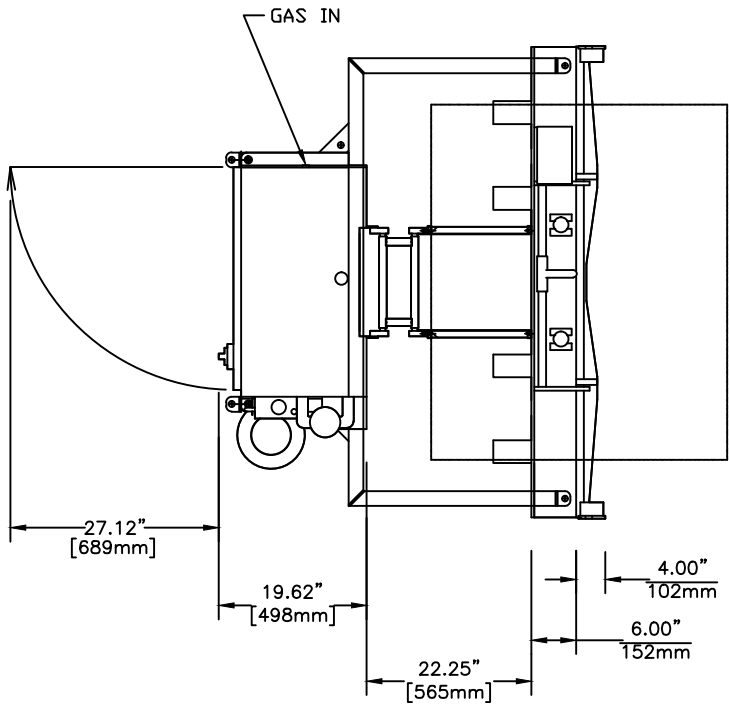
The overhead lifting system must be designed and installed using components and methods which meet all local, state and federal guidelines, specifications, regulations and generally accepted practices. Operator education, frequent inspection, maintenance, documentation of the component parts and proper installation, is important to insure a continued safe overhead lifting system.

MAXIMUM 6.00" [152mm]  
ADJUSTABLE HEAD DROOP

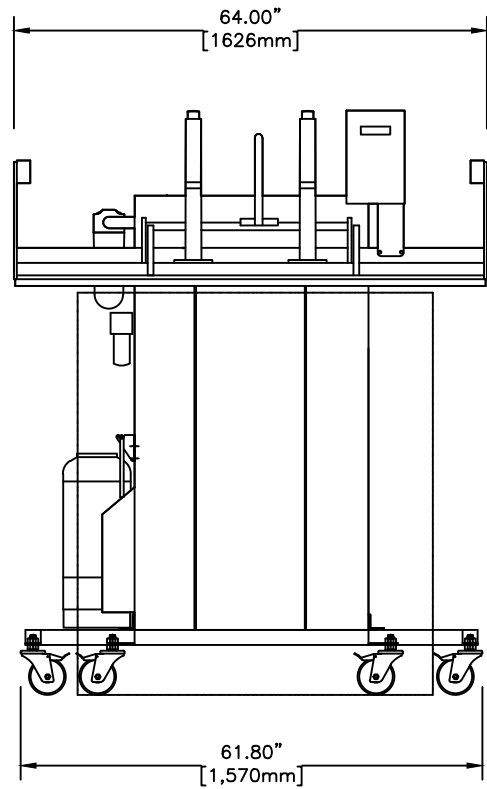
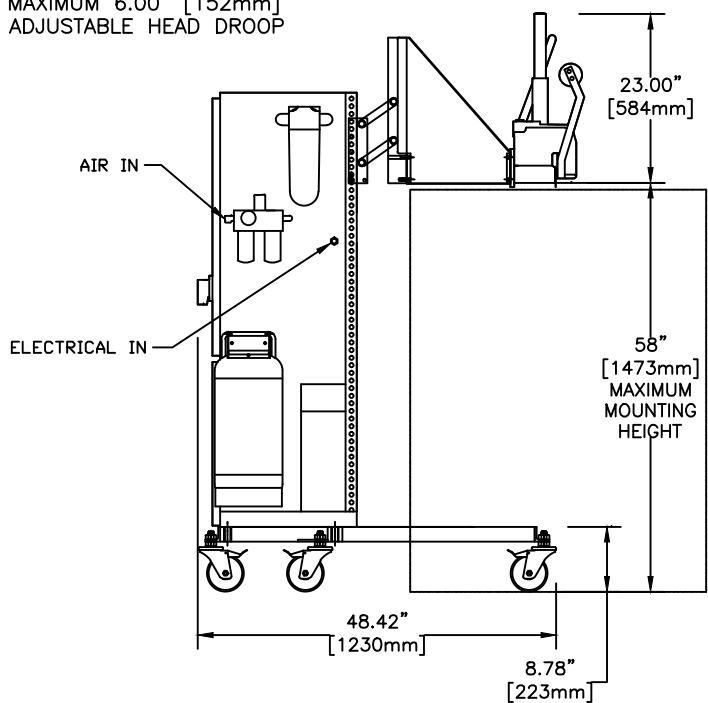
THIS DRAWING IS THE PROPERTY OF N-TEK, INC. AND IS TO BE CONSIDERED CONFIDENTIAL. USE OR REPRODUCTION WITHOUT THE EXPRESS PERMISSION OF THE COMPANY IS STRICTLY PROHIBITED.	APPROVED MFG: DRAWN BY: D. WATKINS	APPROVED ENG:
<b>Corr-vac MARK III/BULK SUSPENDED MODEL</b>		
TOLERANCES: UNLESS OTHERWISE STATED: FRACTIONAL = ±.015 .XX = ±.015 XXX = ±.005 DRILLED HOLE: STANDARD S.A.E.	DWG NO.: <b>BM3MCBSM</b>	REV —
SCALE: 1 = 24	DATE: 7/14/00	SHEET 1 OF 1

REVISIONS				
ECD	REV	DESCRIPTION	DATE	APPROVED

# Corr-vac<sup>®</sup> MARK III BULK BIN ROLL-AROUND



MAXIMUM 6.00" [152mm]  
ADJUSTABLE HEAD DROOP



THIS DRAWING IS THE PROPERTY OF M-TEK, INC. AND IS TO BE CONSIDERED CONFIDENTIAL. USE OR REPRODUCTION WITHOUT THE EXPRESS PERMISSION OF THE COMPANY IS STRICTLY PROHIBITED.

APPROVED MFG	APPROVED ENG
DRAWN BY: D. WATKINS	
TITLE: <b>Corr-vac<sup>®</sup> MARK III</b>	
DWG NO: <b>BMK3MCRA</b>	REV: -
SCALE: 1" = 12"	DATE: 1/17/01
SHEET 1 OF 1	

TOLERANCES: UNLESS OTHERWISE STATED:  
FRACTIONAL = ±.015  
.XX = ±.015  
.XXX = ±.005  
DRILLED HOLE: STANDARD S.A.E.