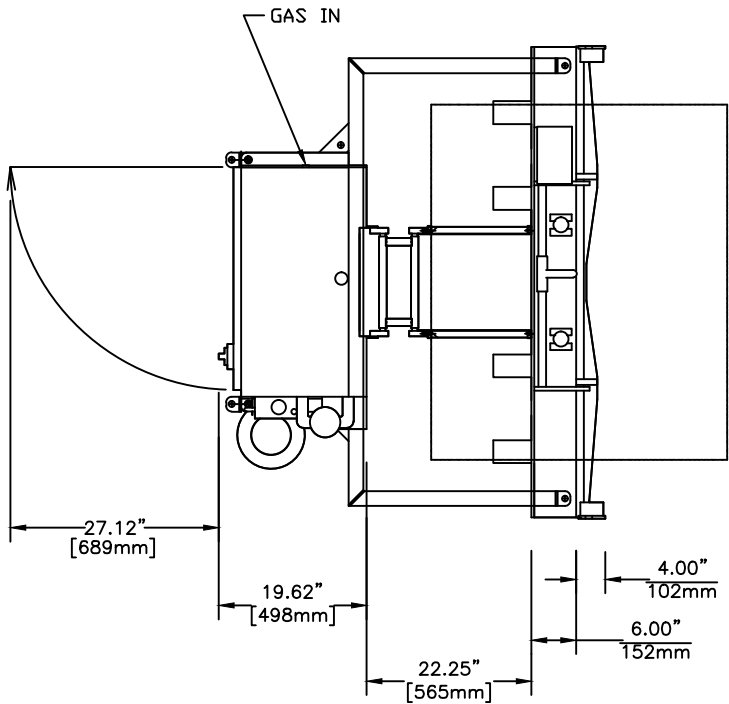
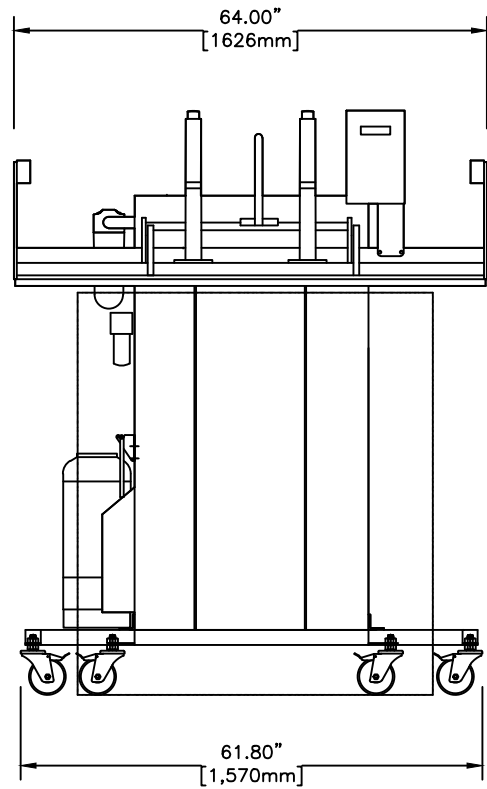
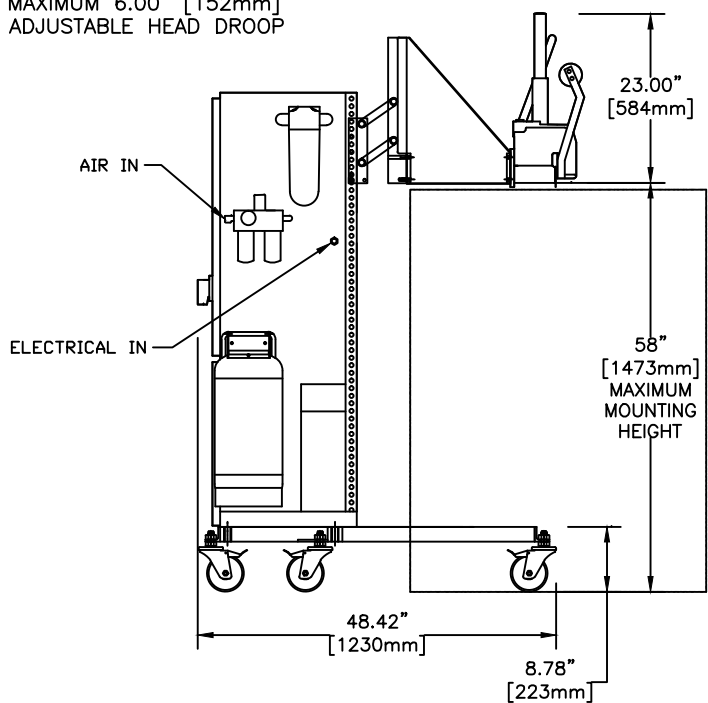


| REVISIONS | | | | |
|-----------|-----|-------------|------|----------|
| ECD | REV | DESCRIPTION | DATE | APPROVED |
| | | | | |

Corr-vac[®] MARK III BULK BIN ROLL-AROUND



MAXIMUM 6.00" [152mm]
ADJUSTABLE HEAD DROOP



THIS DRAWING IS THE PROPERTY OF M-TEK, INC. AND IS TO BE CONSIDERED CONFIDENTIAL. USE OR REPRODUCTION WITHOUT THE EXPRESS PERMISSION OF THE COMPANY IS STRICTLY PROHIBITED.

| | |
|---|---------------|
| APPROVED MFG | APPROVED ENG |
| DRAWN BY: D. WATKINS | |
| TITLE: Corr-vac[®] MARK III | |
| DWG NO: BMK3MCRA | REV: - |
| SCALE: 1" = 12" | DATE: 1/17/01 |
| SHEET 1 OF 1 | |

TOLERANCES: UNLESS OTHERWISE STATED:
FRACTIONAL = ±.015
.XX = ±.015
.XXX = ±.005
DRILLED HOLE: STANDARD S.A.E.