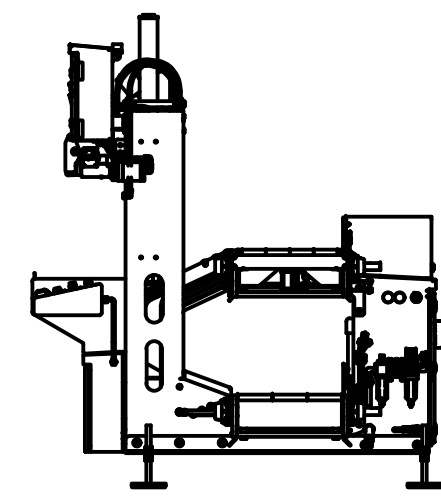
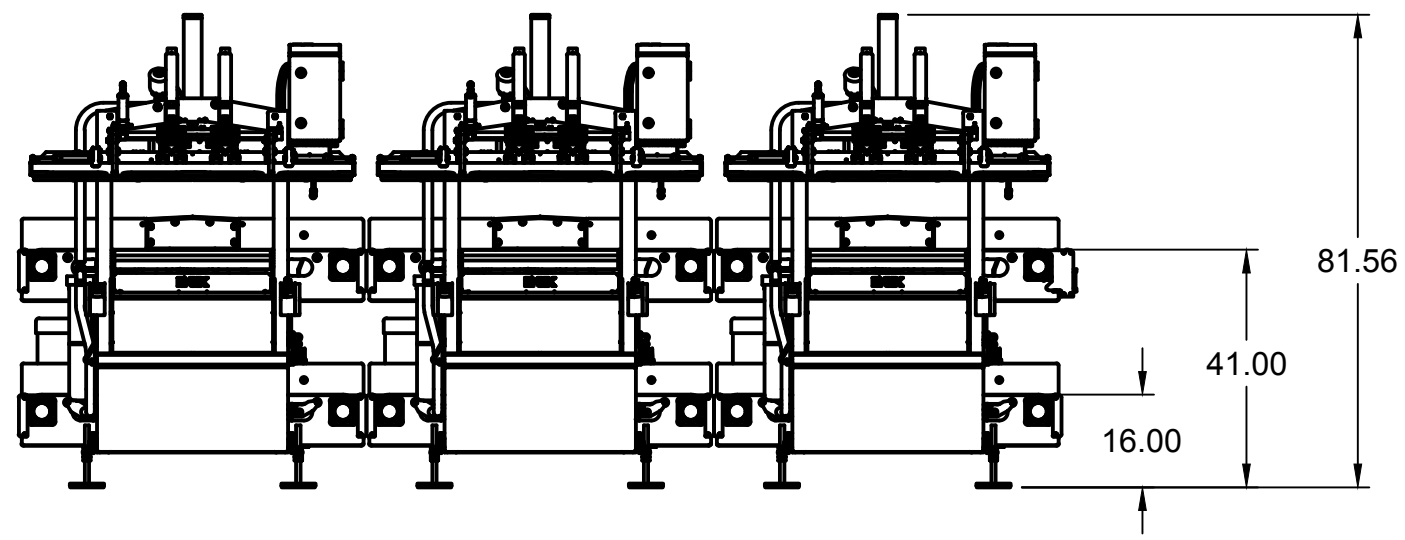
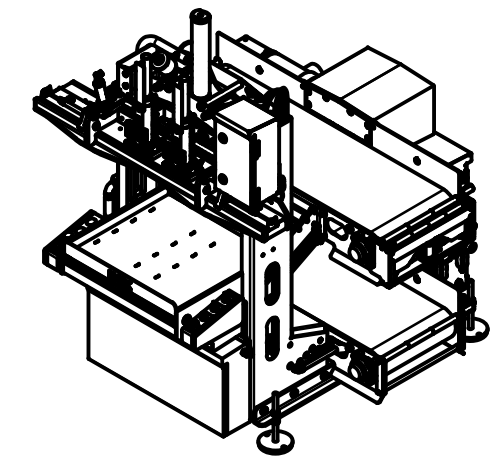
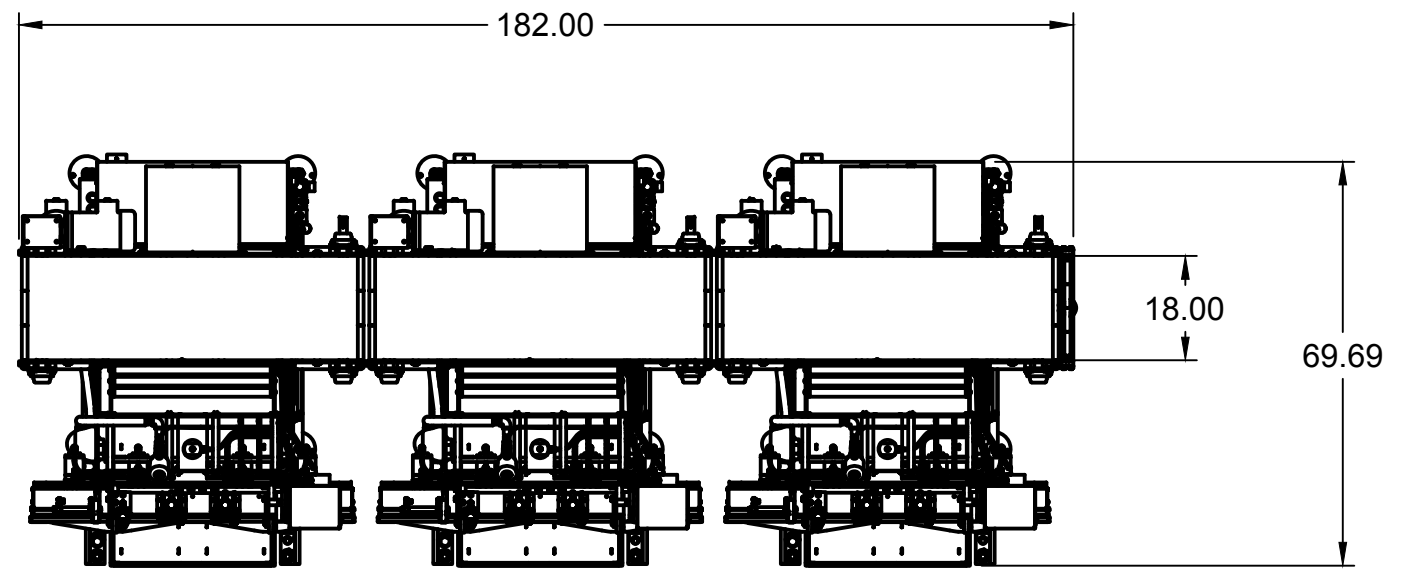


REVISIONS				
ECO	REV	DESCRIPTION	DATE	APPROVED



THIS DRAWING IS THE PROPERTY OF M-TEK, INC. AND IS TO BE CONSIDERED CONFIDENTIAL. USE OR REPRODUCTION WITHOUT THE EXPRESS PERMISSION OF THE COMPANY IS STRICTLY PROHIBITED.	APPROVED MFG:	APPROVED ENG:
	DRAWN BY: T. LIAKOPOULOS	
TITLE:		
MK III MHSP RL 3 HEAD		
TOLERANCES: UNLESS OTHERWISE STATED: FRACTIONAL = ±.015 .XX = ±.015 .XXX = ±.005 DRILLED HOLE: STANDARD S.A.E.	DWG NO.:	REV
	MHSP RL 3 HEAD	—
SCALE: NA	DATE: 09/06/17	SHEET 1 OF 1