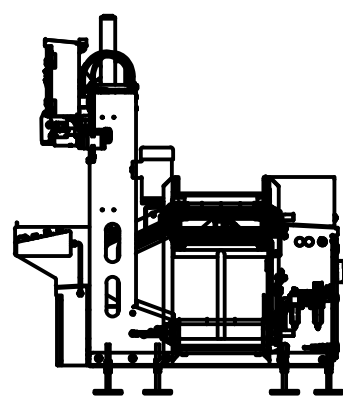
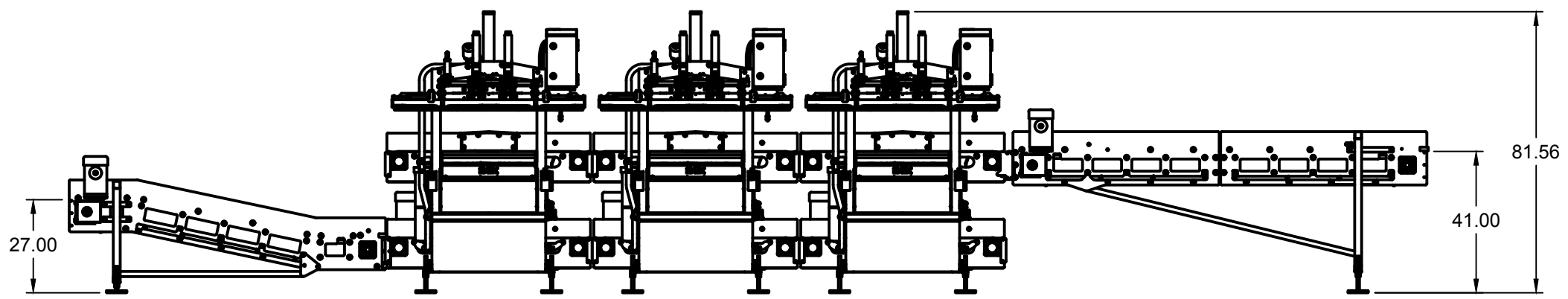
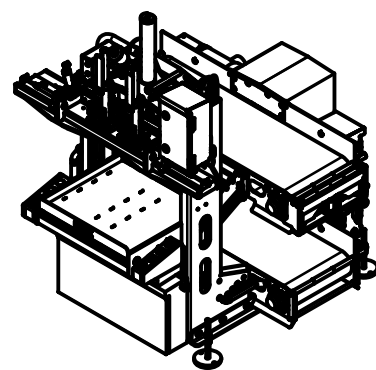
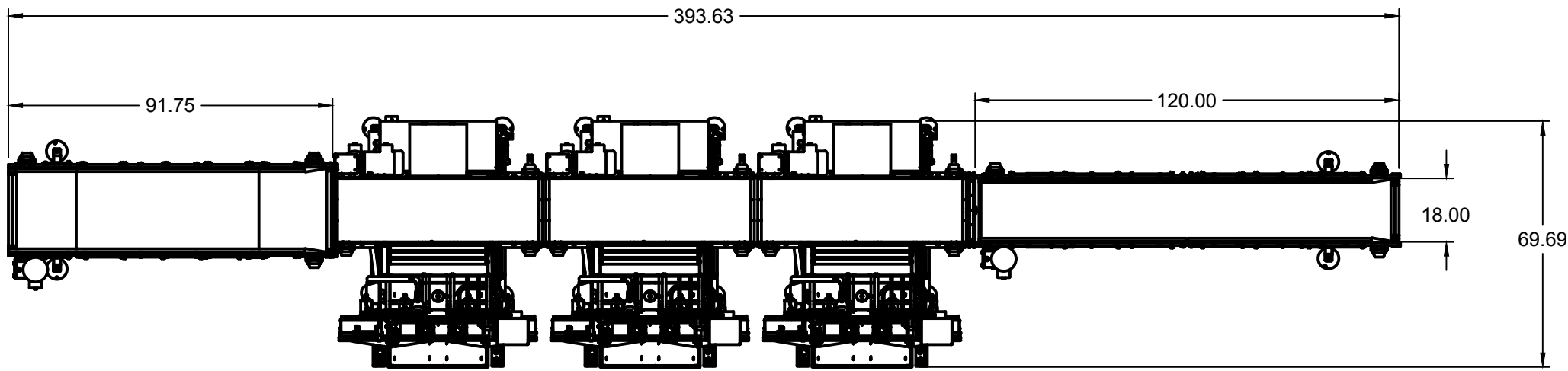


| ECO |  | REV |  | REVISIONS   | DATE | APPROVED |
|-----|--|-----|--|-------------|------|----------|
|     |  |     |  | DESCRIPTION |      |          |



|   |   |                     |
|---|---|---------------------|
| THIS DRAWING IS THE PROPERTY OF M-TEK, INC. AND IS TO BE CONSIDERED CONFIDENTIAL. USE OR REPRODUCTION WITHOUT THE EXPRESS PERMISSION OF THE COMPANY IS STRICTLY PROHIBITED.<br><br>TOLERANCES: UNLESS OTHERWISE STATED:<br>FRACTIONAL = ±.015<br>.XX = ±.015<br>.XXX = ±.005<br>DRILLED HOLE: STANDARD S.A.E. | APPROVED MFG: _____<br>DRAWN BY: T. LIAKOPOULOS | APPROVED ENG: _____ |
|   | TITLE:<br>MK III MHSP RL W-INFEED CONVEYOR      |                     |
|   | DWG NO.:<br>MHSP RL 3 HEAD W-CONVEYORS          | REV: -              |
| SCALE: NA   | DATE: 09/06/17                                  | SHEET 1 OF 1        |