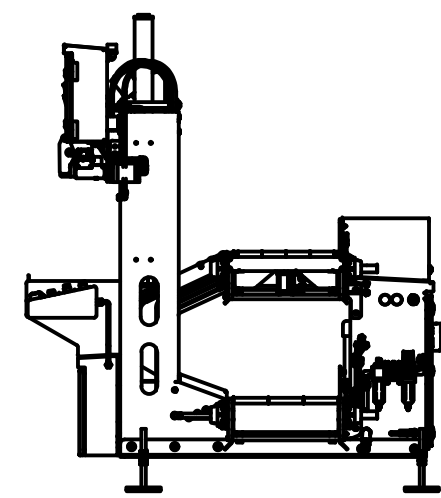
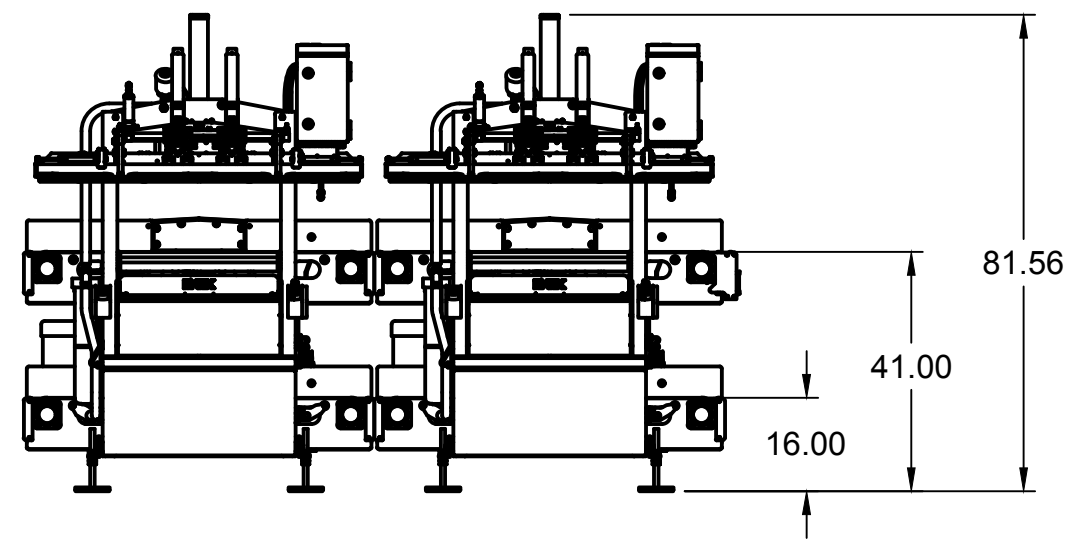
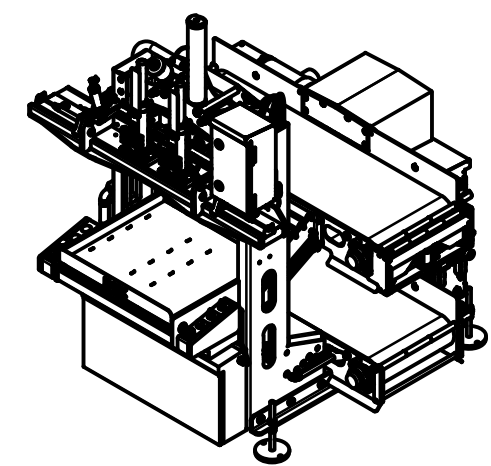
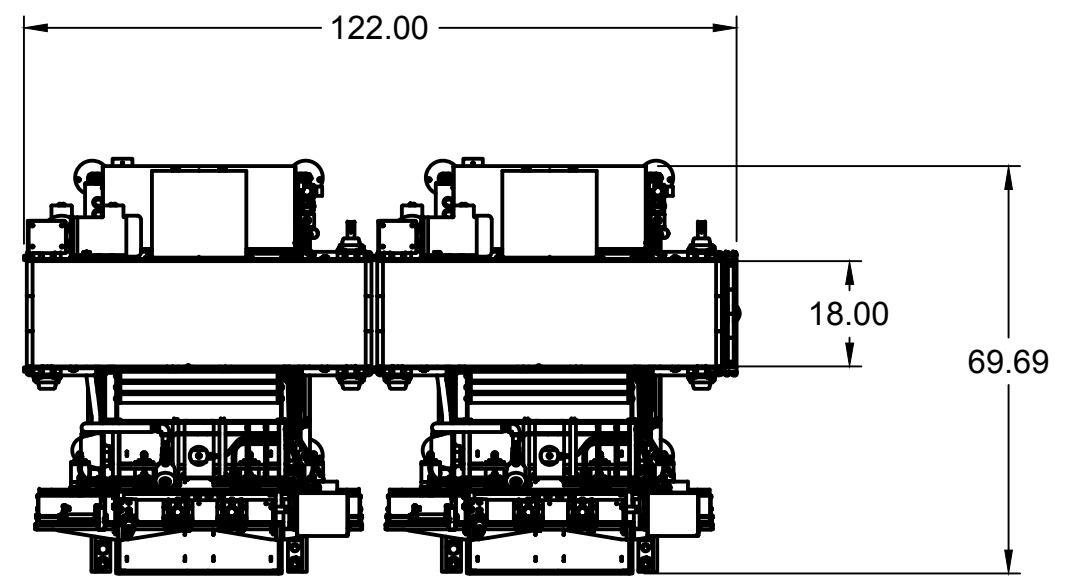


REVISIONS				
ECO	REV	DESCRIPTION	DATE	APPROVED



THIS DRAWING IS THE PROPERTY OF M-TEK, INC. AND IS TO BE CONSIDERED CONFIDENTIAL. USE OR REPRODUCTION WITHOUT THE EXPRESS PERMISSION OF THE COMPANY IS STRICTLY PROHIBITED.

APPROVED MFG: _____ APPROVED ENG: _____
DRAWN BY: T. LIAKOPOULOS

TITLE: MK III MHSP RL 2 HEAD

TOLERANCES: UNLESS OTHERWISE STATED:
FRACTIONAL = ±.015
.XX = ±.015
.XXX = ±.005
DRILLED HOLE: STANDARD S.A.E.

DWG NO.: MHSP RL 2 HEAD

SCALE: NA DATE: 09/06/17 SHEET 1 OF 1

REV
—